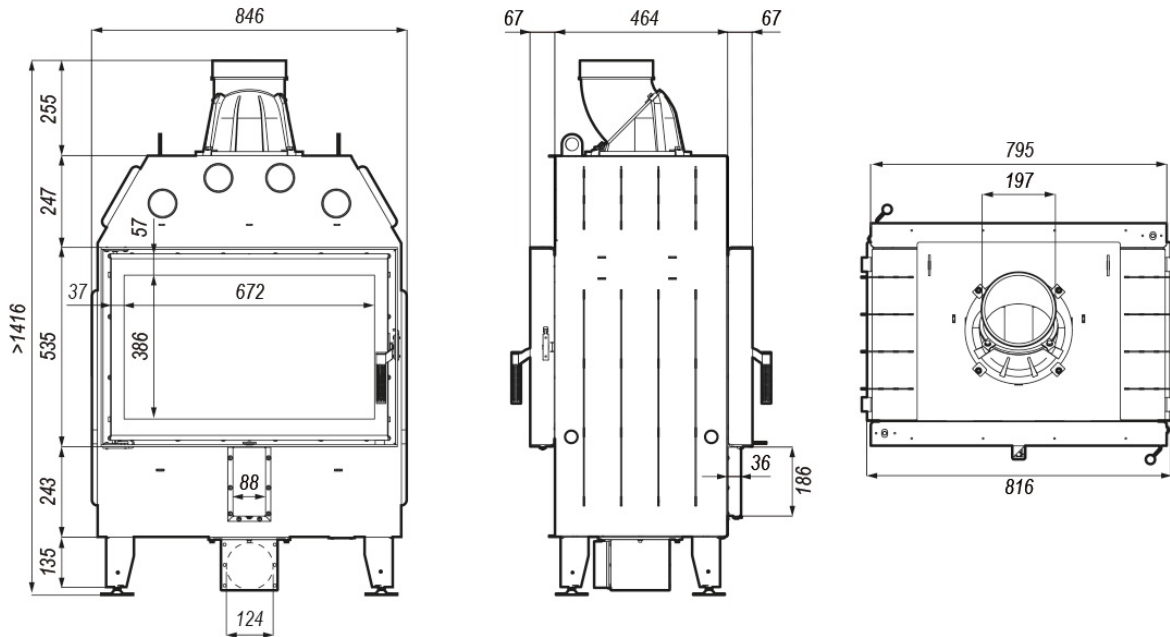


## DEFRO HOME INTRA ME T



## TECHNOLOGY

### FACILITATIONS FOR THE FITTER

#### ROTARY CAST IRON FLUE

Rotations in two planes by 360 degrees

#### WIDE DOOR RIM

Yields the possibility of fitting a fireplace within the door line

#### DOOR PROFILES

Doors made of special and durable steel profile

#### MOUNTING FRAME

Casing finishing option

#### CENTRAL AIR SUPPLY FROM OUTSIDE AND ITS CONTROL

It has been equipped with a slider for accurate adjustment of air used for the combustion. Fireplace inserts are also equipped as a standard with a connector for automatically controlled dampers, which can be used for connection of air from outside.

#### INLET CONNECTION

Special design allowing connecting pipe supplying the air to the furnace with a vertical diameter Ø125 mm.

#### FLEXIBLE ADJUSTMENT

Height may be adjusted to 100 mm

#### GRATE

Steel, removable component

### FACILITIES FOR THE CUSTOMER

#### WATER TUBES

System of tubes improving capacity of the fireplace

#### RADIATORS

Densely distributed components thanks to which fireplace transfers more heat to the surroundings

#### BLACK LINE

Highest class glass ceramic with a black rim

#### PAINT

Two component protective layer

#### CERAMITON

Type of ceramics effectively influences the combustion process and accumulates heat

#### COOL&TOUCH HANDLE

Outstanding quality material made of stainless steel and special perforated handle construction result in the natural cooling of the handle

#### FIREPLACE GLASS

High quality heat resistant glass with resistance up to 800°C

#### CLEAN GLASS SYSTEM

An active glass cleaning system is a unique way for fireplace intake air to keep the glass clean

#### ASH PAN

A tank under the combustion chamber to which ash falls and is stored

#### DOUBLE-SIDED FIRE VISION

The pair of parallel glass doors gives us the unique impression of the large heat space as well as aesthetic satisfaction

